



专业 / 信赖 / 品质  
Speciality Trust Quality

**Accessen**

上海艾克森集团有限公司 / 上海艾克森新技术有限公司  
Shanghai Accessen Group Co., Ltd. / Accessen.New-Tech.Shanghai.Co.,Ltd

营销总部: 上海金沙江路1628弄绿洲中环中心1号楼3层  
邮 编: 200333  
电 话: +86 21 6117 6666  
传 真: +86 21 6117 2600  
网 址: www.accessen.cn  
信 箱: sales@accessen.cn trade@accessen.cn

生产总部: 上海市嘉定区谢春路1458号  
邮 编: 201804  
电 话: +86 21 6959 5555 6958 5555  
传 真: +86 21 6959 0007

销售热线: 4006 191 191  
服务热线: 8008 191 191

Sales Headquarter: 3rd Floor, NO.1 Building, Lvzhou Zhonghuan Business Center, No. 1628, Jin Shajiang Rd, Shanghai, China.  
Zip Code: 200333  
Tel: +86 21 6117 6666  
Fax: +86 21 6117 2600  
Website: www.accessen.cn  
E-mail: sales@accessen.cn trade@accessen.cn

Production Headquarters  
Add: No.1458 Xiechun Rd, Jiading District, Shanghai 201804, China  
Tel: +86 21 6959 5555 6958 5555  
Fax: +86 21 6959 0007  
Sales Line: 4006 191 191  
Service Line: 8008 191 191




**Accessen 艾克森**  
ACCESSEN GROUP

# Marine Diesel

AND NAVIGATION INDUSTRY

船用动力行业/板式换热器

 Accessen production line in industry segments



增设计与设计变更, 恕不另行通知  
Designs and Specifications are subject to change without notice for further improvement.

2011 03 SH



## 关于艾克森 / About Us

上海艾克森集团是专业从事换热设备研发、制造、销售及服务的中美合资企业。公司通过ISO9001；2000质量体系认证、ISO14001；2004环境质量体系认证、OHSAS18001；1999职业健康安全体系认证。

至今，艾克森在中国已投资建立了2家公司，4个制造工厂，遵照全球统一的AS标准生产包括板式换热器、板壳式换热器、全焊式换热器、蒸发器及冷凝器、板式换热机组、工艺水冷却系统、余热回收系统在内的全系列换热设备，同时也提供符合ASME、PED、API、JIS、IEC、DNV、BV、CCS、GB等国际规范和标准的产品。

上海艾克森新技术有限公司于2002年在上海成立，生产基地位于上海市嘉定区黄渡工业园。公司主要负责向亚太地区的暖通空调、制冷、能源电力、冶金、化工、食品、电子、船舶及环境处理等市场提供相应设备的换热解决方案和客户服务。公司直属的销售和服务网络覆盖国内27个主要省市，拥有400多个服务网点，2个技术培训和产品中心，产品提供全国或全球联保服务，能就近为客户提供快捷、高效的服务。赢得了包括SIEMENS、BAYER、BASF、DOW、BOSCH、3M、HITACHI、TATA、COCACOLA、UNILEVER、INTERCONTINENTAL、EMERSON、HYDROAI、SINOPEC、LAFARGE、FOXCOM等全球500强客户的信赖。

艾克森随时为客户提供全球领先的船舶动力换热解决方案，提供高品质的换热设备和快速、高效的服务。能够为你节省更多设备空间，节约更多维护时间和拥有更可靠的性能表现。其全球性的服务网络，能为你的远洋船只提供更多保障。

Accessen LLC is a heat exchange systems designer, manufacturer, distributor and servicer. Founded in 2002 in Shanghai, we are a Sino-American joint venture company with over 600 employees, 4 manufacturing plants, 400 service outlets covering 27 Chinese provinces, and two technical training and product centers. We export to Asia, the Middle East, and Eastern Europe, and have designed, produced, and installed heat exchanger systems for Coca Cola, Sinopec, Siemens, Foxcom, Bayer, and many other Fortune 500 companies and large facilities.

Our heat exchanger products include plate heat exchangers, shell heat exchangers, welded heat exchangers, evaporators and condensers, water processing cooling systems, and waste heat recovery systems. We provide heat exchanger solutions for the HVAC, cooling, power, metallurgy, chemical, food, electronics, marine, and environmental industries. All Accessen equipment complies with AS global product standards and we have obtained ISO quality certificate ISO9001: 2000, ISO environmental quality certificate ISO14001: 2004, and occupational health and safety certificate OHSAS18001: 1999. We also manufacture equipment consistent with ASME, PED, API, JIS, IEC, DNV, BV, CCS, GB, and other international codes and standards.

In the marine power systems, ACCESSEN group can provide various type of plate heat exchanger which play a key role in oil cooling, central cooling, high temperature freshwater cooling, jacket water cooling as well as fuel preheating. Compact design, optimization calculation, aesthetic shape, complete accessories, reliable performance, all elements guarantee our marine plate heat exchanger to achieve excellent performance.

ACCESSEN provide the world's leading heat transfer solutions at any time, professional and high quality heat transfer equipment, fast and efficient service.



## 先进的换热结构

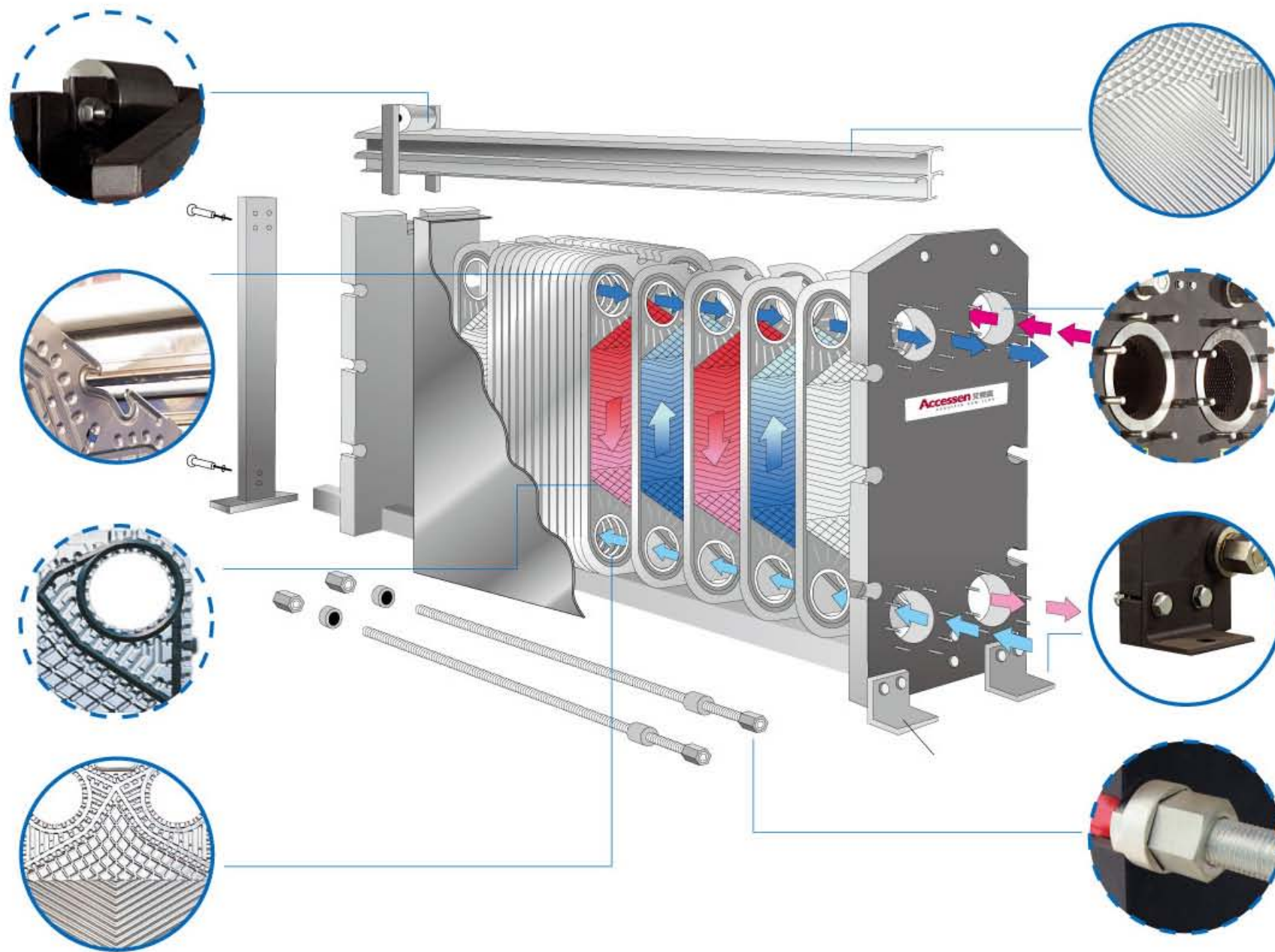
### Advanced structure design

**更为可靠、快速的拆装系统**——经过专业设计的不锈钢滚轮结合活动加紧挡板，使得换热器的现场拆装更为快速、方便，并能有效减少载荷对上导杆的磨损，滚轮本体也不易生锈，从而防止抱死情况发生。  
More reliable and fast disassembled system—Roller assembly on movable end makes plate heat exchanger assembled and disassembled easily and prevent carrying bar from abrasion.

**更为精准的板片定位系统**——起点无偏移板片定位系统，保证板片在每一次的拆装过程中都能做到简单、精准的板片定位，能够有效避免因定位不准所产生的板片扭曲、垫片易脱落的问题，从而有效地节约了换热器拆装维护的时间，并延长了板片和垫片的使用寿命。  
More accurate positioning system—Plate positioning system without displacement makes plate heat exchanger fixed accurately during maintenance and ensures the plate non-bending. Users could do sealing in time and prevent gasket from dropping, hence improve the security of the equipment and increase the service life of plate heat exchanger.

**更为先进的免粘垫片设计**——先进的卡式免粘垫片设计，能够更快的将垫片固定在板片上，在清洗过程中能够最大程度上减少对垫片本身的损伤，保证垫片重复多次使用延长垫片的使用寿命，线性密封结构的设计也使得换热器本身的密封性能得到长时间可靠的保证。  
More advanced glue-free gasket design—Most advanced Glue-free gasket in the world is adopted by ACCESSEN, which makes maintenance of plate heat exchanger more convenient. Customers have no use to worry about the dropping of stickup gasket when plate heat exchanger is cleaned. The linear sealing structure could ensure the leak tightness and then increase the service life of plate heat exchanger.

**更为高效的导流优化设计**——从换热器入口到主要热传导区，采用了网状均衡导流区，消除了板片内的换热死区，使得流体更为均匀地被分布到整张板片上进行换热，从而提高了换热器的传热效果（取得更高的K value值）。  
More efficient diversion optimization design—From plate inlet to heat exchanging transfer area, we have a Chocolate box area. This Chocolate box distribution system makes the fluid possible to distribute uniformly across the entire width of the plate, eliminating dead spots. This can ensure an excellent heat transferring performance.



**更为先进的板片波纹设计**——独特的板片波纹设计，以及多达数百种的组合方式，能充分满足船用换热器的不同设计需要，在获得更高传热系数的同时，也使得换热器本体尺寸更为紧凑，能够为你节省更多的安装空间。

More advanced plate design—unique corrugation plate design and different positioning make plate heat exchanger meet different design requirement, which makes it fixed more accurately to save more space as well as high coefficient.

**更加丰富的产品附件**——除了提供换热器本体设备之外，海水侧还配置了钛衬套，黄铜材质表具座及内充液防震式压力表、温度表的现场直读仪表，同时还可提供海水侧内置式过滤器，使得换热设备在使用过程中更加人性化。  
More abundant spare parts—plate heat exchanger, except main body, would be matched titanium lining, pressure meter, temperature meter and strainer in sea water side, which makes the plate heat exchanger more humanization.

**更为牢固、抗震的安装固定**——挡板前后的紧固地角支撑，大大增加了设备带荷运行中的稳定性和耐震性，使得设备运行能够更加稳定可靠。  
More fasten and seismic fixed installation—Plate heat exchanger can be fixed on the ground firmly with its frame foot fastened by bolt, which greatly enhances its stability.

**更加先进的螺杆锁紧系统**——螺杆紧固位置具有安全功能的保护凹口，并自带锁紧功能，保证在设备运输过程和有震动情况的使用现场避免螺杆松动，保证换热器设备的密封性能，提高设备实际使用可靠性。  
More advanced screw locking system—There is a protect notch in the restraint location of screw. Excellent screw system with self-lock function will not be loose no matter how the plate heat exchanger is shock during transportation, ensure its sealing performance and improve the reliability of plate heat exchanger.

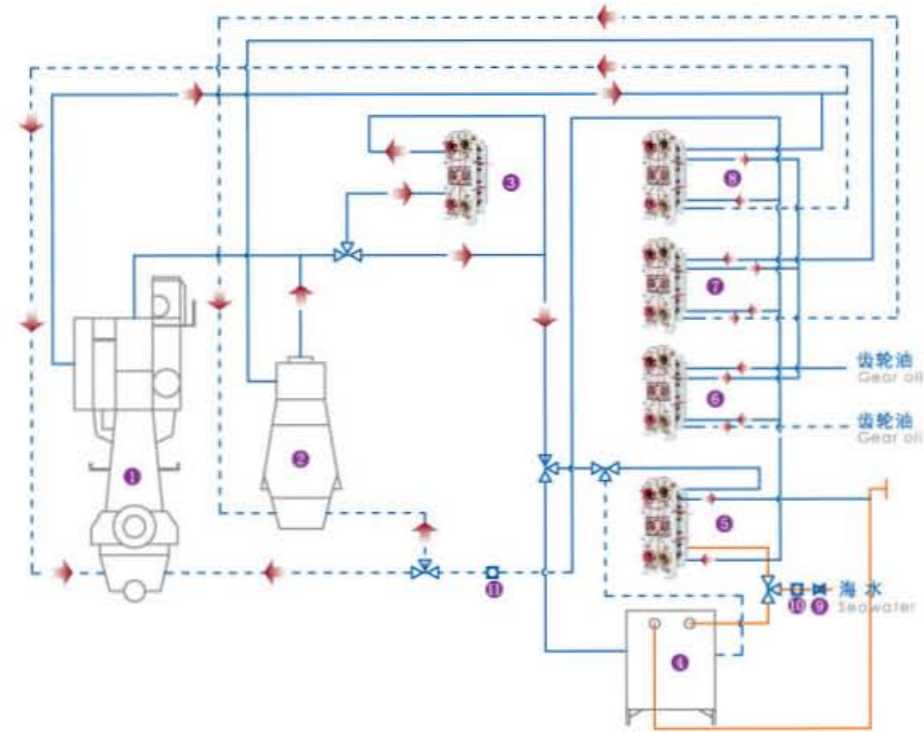
## 产品范围

Range

- |          |                          |          |                                 |
|----------|--------------------------|----------|---------------------------------|
| ● 发动机冷却器 | Engine Cooler            | ● 燃料油预热器 | Preheater for Fuel Oil          |
| ● 主机冷却器  | Host Cooler              | ● 海水预热器  | Seawater Preheater              |
| ● 齿轮油冷却器 | Gear Oil Cooler          | ● 余热回收   | Recovery of Waste Heat          |
| ● 润滑油冷却器 | Lubricating Oil Cooler   | ● 海水淡化主机 | Seawater Desalination Mainframe |
| ● 循环水冷却器 | Circulating Water Cooler | ● 空调加热器  | Air Conditioner Heater          |
| ● 齿轮油    | Preheater for Gear Oil   |          |                                 |

## 典型应用

Typical application



- |           |                                    |                  |  |
|-----------|------------------------------------|------------------|--|
| 1. 主引擎    | Main Engine                        | 7. 润滑油冷却器 (辅助引擎) | Lubricating Oil Cooler ,(Auxiliary Engine) |
| 2. 备用引擎   | Auxiliary Engine                   | 8. 润滑油冷却器 (主引擎)  | Lubricating Oil Cooler ,(Main Engine)      |
| 3. 中央加热器  | Heat exchanger for Central Heating | 9. 海水过滤器         | Seawater Filter                            |
| 4. 海水淡化主机 | Freshwater Generator               | 10. 海水泵          | Seawater Pump                              |
| 5. 中央冷却器  | Central Cooler                     | 11. 淡水泵          | FreshWater Pump                            |
| 6. 齿轮油冷却器 | Gear Oil Cooler                    |                  |  |





## 产品资质及说明

Product certificate and description



中国船级社CCS认证  
China Class Society CCS Certificate



法国船级社BV认证  
France Bureau Veritas BV Certificate



ISO 9001:2008质量体系  
ISO 9001:2008 Quality Management System



ISO 14001:2004环境管理体系  
Environmental Management System



OHSAS 18001:1999职业健康安全管理体系  
Occupational Safety and Health Management System

## 柔性板片设计

Plate design

两种不同板型, H和L型



LOW EFFICIENT PLATE



HIGH EFFICIENT PLATE

设计合理的导流区, 均匀分布流速, 去除了流速死区, 从而避免了因污垢堆积而产生的腐蚀, 同时又提高了板片换热面积的利用率。

由一种波纹板构成相同通道具有唯一的传热-压降相关特性而组成的板式换热器不能满足各种换热场合的不同需求, 其结果必然导致低效率的设计。艾克森提出了“热混合”概念, 它能在相当宽广的范围参数内, 做到换热器-流量-允许压降完全匹配, 并节省换热面积。所谓“热混合”, 就是指同一种波纹角度的板, 具有H, L, M三种形式。H板, 倾角大, 传热强, 同时阻力也大, L板倾角小, 传热弱, 同时阻力小。如果将H板和L板以任意比例混合, 即可组装出很多种传热系数的换热器, 以满足不同的工况。

Reasonable Distribution area was designed for better distribution of flow rate and elimination of dead angle. As a result, it avoids corrosion resulted from fouling accumulation and increases operation rate of heat exchange area of plate.

Plates with one type of corrugation form the same passage, which makes heat exchange only relative to pressure drop. It could not meet all requirements of different working conditions and will lead to low efficiency of design. ACCESSEN put forward the conception of "Heat Mixture", which can match heat exchanger not only with flow rate but also with pressure drop and decrease heat exchange area. "Heat Mixture" means there are three types of plates (H, L, M) for one type of corrugation. H plate with high inclination-angle has high heat exchange efficiency and large resistance, while L plate with small inclination-angle has low heat exchanger and small resistance. As a result, heat exchangers with different heat transfer coefficient could be worked out with mixing up H plates and L plates in different ratio, according to any different working conditions.

## 合作伙伴

Our customers



TianJin CCCC Bomesc  
Yanmar Engine(Shanghai)Co.,Ltd  
Shanghai Sanlin Shipyard  
Zhejiang Kallin Shipyard  
Jiangsu Zhenjiang Shipyard

## 全球售后服务网络

Global after service net



Australia	Banama	China	France	Germany
Hong Kong	India	Indonesia	Jordan	Japan
Korea	Malaysia	Mexco	Netherland	Russia
South Africa	Sinapore	Taiwan	Thailand	USA